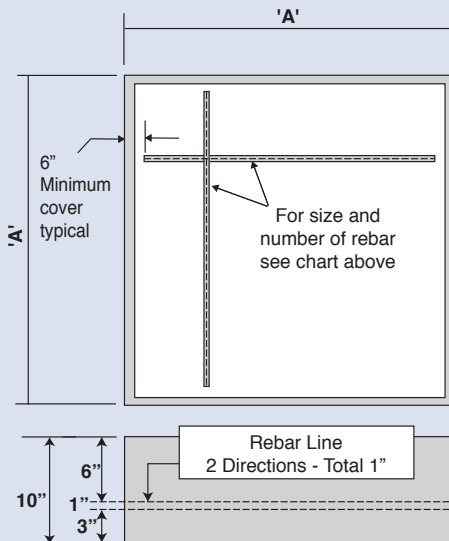


FOOTING PAD REQUIREMENT(S) & SPECIFICATION(S):

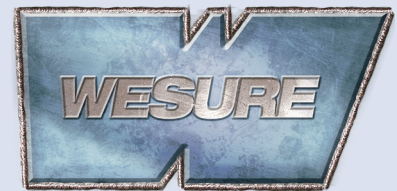
Allowable Soil Bearing Capacity:		2000 lbs.ft2 (2800 lbs/ft2 factored)				2500 lbs/ft2 (3500 lbs/ft2 factored)				3000 lbs/ft2 (4200 lbs/ft2 factored)			
Footing Dimensions (L x W x D)	Number & Size of Rebar	Maximum Footing Capacity											
		Allowable Working Loads (Unfactored)		Limit State Design (Factored)		Allowable Working Loads (Unfactored)		Limit State Design (Factored)		Allowable Working Loads (Unfactored)		Limit State Design (Factored)	
		lbs	kN	lbs	kN	lbs	kN	lbs	kN	lbs	kN	lbs	kN
24" x 24" x 10"	4-10M E/W	7,500	33.36	10,700	47.60	9,500	42.26	13,500	60.05	11,500	51.15	16,300	72.51
30" x 30" x 10"	4-10M E/W	11,719	52.13	16,719	74.37	14,844	66.03	21,094	93.83	17,969	79.93	25,469	113.29
36" x 36" x 10"	5-10M E/W	16,875	75.06	24,075	107.09	21,375	95.08	30,375	135.11	25,875	115.10	36,675	163.14
42" x 42" x 10"	6-10M E/W	22,969	102.17	32,769	145.76	29,094	129.42	41,344	183.91	35,219	156.66	49,919	222.05
48" x 48" x 10"	7-10M E/W	30,000	133.45	42,800	190.38	38,000	169.03	54,000	240.20	46,000	204.62	65,200	290.02
54" x 54" x 11"	8-10M E/W	37,716	167.77	53,916	239.83	47,841	212.81	68,091	302.88	57,966	257.85	82,266	365.94
60" x 60" x 12"	10-10M E/W	46,250	205.73	66,250	294.69	58,750	261.33	83,750	372.54	71,250	316.94	101,250	450.38
66" x 66" x 12"	6-15M E/W	55,963	248.94	80,163	356.58	71,088	316.22	101,338	450.77	86,213	383.49	122,513	544.96
72" x 72" x 14"	7-15M E/W	65,700	292.25	94,500	420.36	83,700	372.32	119,700	532.45	101,700	452.38	144,900	644.55
78" x 78" x 14"	8-15M E/W	77,106	342.98	110,906	493.33	98,231	436.95	140,481	624.89	119,356	530.92	170,056	756.45
84" x 84" x 16"	9-15M E/W	88,200	392.33	127,400	566.70	112,700	501.31	161,700	719.28	137,200	610.30	196,000	871.85
90" x 90" x 16"	10-15M E/W	101,250	450.38	146,250	650.55	129,375	575.49	185,625	825.70	157,500	700.59	225,000	1000.85
96" x 96" x 18"	12-15M E/W	113,600	505.32	164,800	733.07	145,600	647.66	209,600	932.35	177,600	790.00	254,400	1131.63
102" x 102" x 18"	12-15M E/W	128,244	570.46	186,044	827.56	164,369	731.15	236,619	1052.53	200,494	891.84	287,194	1277.50
108" x 108" x 20"	14-15M E/W	141,750	630.54	206,550	918.78	182,250	810.69	263,250	1170.99	222,750	990.84	319,950	1423.21
114" x 114" x 20"	15-15M E/W	157,938	702.54	230,138	1023.70	203,063	903.27	293,313	1304.72	248,188	1104.00	356,488	1585.74

** The WESURE Support Systems suggested Footing design is designed for use with WESURE columns only. It is not compatible with other products.



Notes:

- Concrete to be a minimum of 3000p.s.i. (20Mpa), normal portland cement type 10 or type 50 as required, maximum 3/4" (20mm) aggregate, 3" (75MM) slump.
- All rebar to be tied at intersections. Follow position diagram.
- Footing meets or exceeds National and Alberta Building Code Section 9.
- Load to be applied in the middle of the pad. Eccentric loading will significantly reduce the capacity of the footing.
- Wesure Support Systems is not responsible for compliance or application of charts (charts supplied as information only).
- The minimum 254mm footing thickness is Government (code) mandated.
- The soil bearing load capacities have been adjusted to show the load on the columns alone. The total soil bearing capacity has been reduced by the self weight of the footing itself.
- Determine the footing size according to Load. You must verify soil bearing capacity with engineer testing.



Structural Support Systems

1-800-223-8806
www.wesure.com

WESURE™ is a registered trademark of Western Sulfur Remelters Ltd.

This information is accurate as of the date of publication. Please refer to www.wesure.com for the most current specifications.

Rev. January 2020